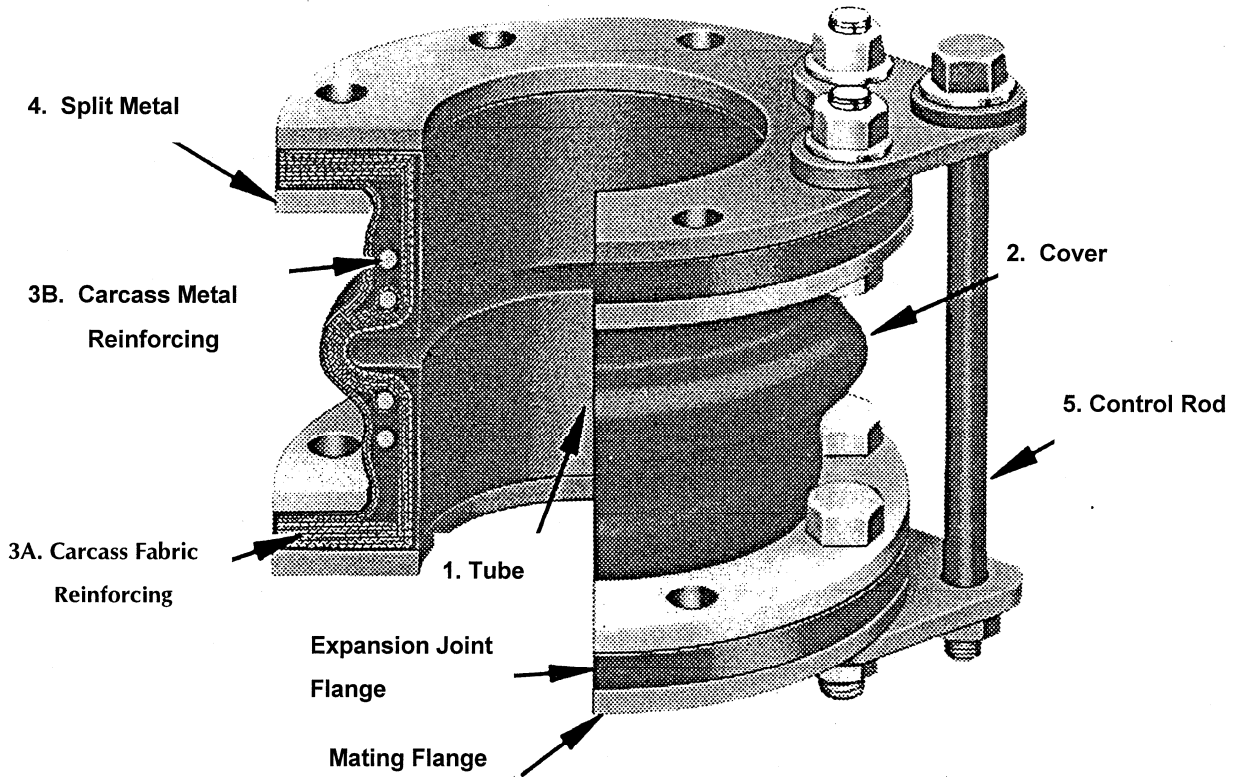


Expansion Joint Data Sheet



*Size:

*Temperature:

*Pressure/Vacuum:

*Media:

Movements:

Compression:

Elongation:

Lateral:

COMMENTS:

*Face-to-face Dimension:

Drilling (if other than 125/150#):

Retaining Rings: Yes ___ No ___

Control Units: Yes ___ No ___

Hydrostatic Testing: Yes ___ No ___

Replacement: Yes ___ No ___

For what Style:

CRN Requirement: Yes ___ No ___